

Photocells

for the Parklio™ Gate

User manual

Trademarks

Parklio™ is a trademark of Amplifico d.o.o.

Other brand and product names are registered trademarks or trademarks of their respective holders.

Statement of Conditions

In the interest of improving internal design, operational function, and/or reliability, Parklio™ reserves the right to make changes to the products described in this document without notice. Parklio™ does not assume any liability that may occur due to the use or application of the product(s) or circuit layout(s) described herein.

Thank you for the confidence you have shown us by purchasing our product!



Parklio | Smart parking solutions

e: info@parklio.com | **w:** www.parklio.com

m: + 385 97 724 7276

Please read this manual first!

Dear Customers,

We hope that all your expectations of this product will be fulfilled. Every Parklio™ product is manufactured using the latest technologies and has undergone rigorous quality control procedures.

The User Guide will help you use your product quickly and safely.

Read the user manual before installing and using your product.

Always follow the safety instructions.

Keep this user manual at hand for future reference.



Parklio | Smart parking solutions

e: info@parklio.com | **w:** www.parklio.com

m: + 385 97 724 7276

Table of Contents

Wall installation	4
Installation on a pillar	5
Electrical connections	6
Adjustment	7
Technical Specifications	8



Parklio | Smart parking solutions

e: info@parklio.com | **w:** www.parklio.com

m: + 385 97 724 7276

1. Wall installation

Regarding the installation of the photocells on the wall, please refer to the figures 1-3! For the system to function correctly, it is essential that the flatness and linearity of the surfaces intended for installation be checked, then **FIX THE PROJECTOR ALONG THE SAME GEOMETRICAL AXIS AND AT THE SAME HEIGHT ABOVE THE GROUND, IN FRONT OF THE RECEIVER.**

For correct installation, follow the instructions below very carefully:

1. Decide where the photocells are to be installed, taking into account the need for the photocells to be fixed on a flat, linear surface.

⚠ PLEASE NOTE: position the photocells so as to avoid the receiver RX facing into the sun.

2. Decide where to place the channels for the power supply cables.
3. Open the photocell casing and use the base **A** to mark out the positions of the fixing holes.
4. Fix the base and connect-up the terminals.



Parklio | Smart parking solutions

e: info@parklio.com | **w:** www.parklio.com

m: + 385 97 724 7276

2. Installation on a pillar

1. Install the pillars, following the instructions given in the relevant instruction manual enclosed.
2. Insert the photocell (or photocells, depending on the length of the strip) into the grooves in the strip.
3. Position the photocell at the desired height and fix it using the special V screws (Figure 5.2).

⚠ PLEASE NOTE: Current regulations require the recognition of obstacles with different minimum heights depending on the type of installation: 30cm (height recommended for the installation of the 20cm photocell) or 70cm (50cm recommended height).

Refer to the regulations specific for the type of installation.

4. Insert the connecting cables through the hole located in the base of the stand.
5. Connect the photocells and align them.
6. Insert the front lens, sliding downwards from above, and finally insert the upper cap.

⚠ PLEASE NOTE: If the signal is not sufficient, check that the transmitter and receiver are aligned. Optionally, remove the cover B from the photocell inserted in the pillar and held in place by the upper cap. If the photocell is inserted inside the pillar on which there is an accessory fitted in place of the upper cap, DO NOT remove the cover.



Parklio | Smart parking solutions

e: info@parklio.com | **w:** www.parklio.com

m: + 385 97 724 7276

3. Electrical connections

The new range of devices is equipped with a synchronism circuit allowing the installation of two pairs, even very close together, without them interfering with one another.

⚠ PLEASE NOTE: It is essential that the TX and RX power supplies be in phase (e.g. TX earth with RX earth and Vin TX with Vin RX).

Synchronised operation: supply both pairs of photocells with AC current, inverting the polarity between the first and second pairs (Figure 5.4).

Non-synchronised operation: supply both pairs of photocells with DC current, and install both pairs inversely with respect to one another (Figure 5.5).



Parklio | Smart parking solutions

e: info@parklio.com | **w:** www.parklio.com

m: + 385 97 724 7276

4. Adjustment

Having completed the installation, check that the system is operating correctly:

1. Ensure there are no obstacles between the transmitter and the receiver.
2. Power-up the system:
 - The receiver LED is off: The photocell is not centred; perform centring, following the instructions given in part 3.
 - The receiver LED is on: the photocell is centred, move on to part 4.

⚠ WARNING: If the receiver LED flashes, the power supply of TX and RX is out of phase. Check the electrical connections.

3. Adjusting the direction:

To adjust the direction, follow the indications given in Figure 5.1.

Loosen the screws slightly, slowly swing the movable part until the receiver LED comes on, then tighten up the screws.

4. Insert the gasket **D** in the base **A** (Figure 5.3).

⚠ PLEASE NOTE: incorrect insertion of the gasket seriously compromises the watertight seal of the casing!

5. Place the cover **B** over the photocell and ensure it is operating correctly without removing the adhesive attenuation filter **C** (the filter simulates adverse weather conditions such as rain, fog etc.)
6. Then remove the attenuation filter.
7. Break the infrared beam a number of times: the receiver LED must switch itself off and the relay must switch.



Parklio | Smart parking solutions

e: info@parklio.com | **w:** www.parklio.com

m: + 385 97 724 7276

5. Technical Specifications

Optical range	25m
Dimensions	230Vac / 50Hz
Power supply (Vin - GND)	12Vac - 24Vac / 12Vdc - 36Vdc
Transmitter Signal	modulated infrared 833Hz @ 950nm
Relay contact	max. 1A, 30VDC
Current consumption @ VIN = 24Vdc	Tx 25mA Rx 25mA
Operating temperature	-20°C - +60°C

Table 1 - Technical Specifications



Parklio | Smart parking solutions

e: info@parklio.com | **w:** www.parklio.com

m: + 385 97 724 7276

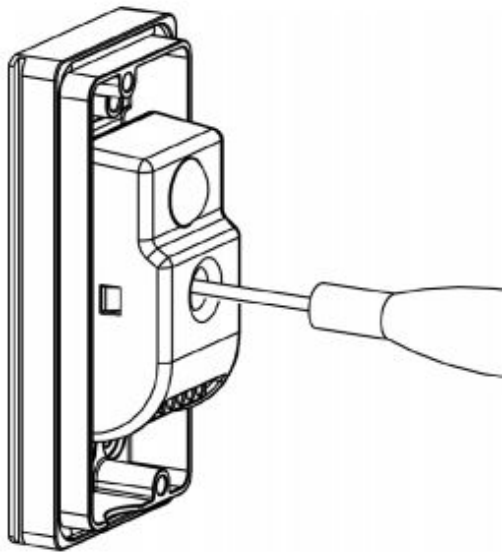


Figure 5.1

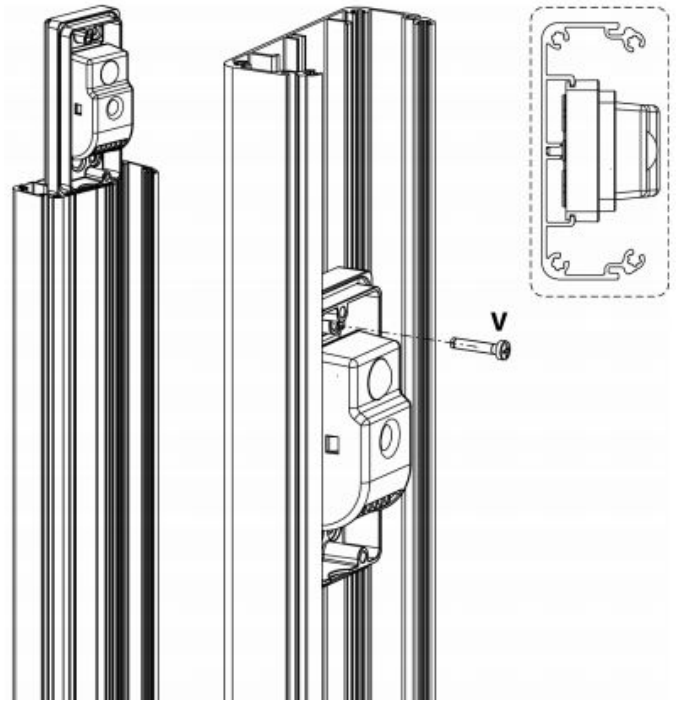


Figure 5.2

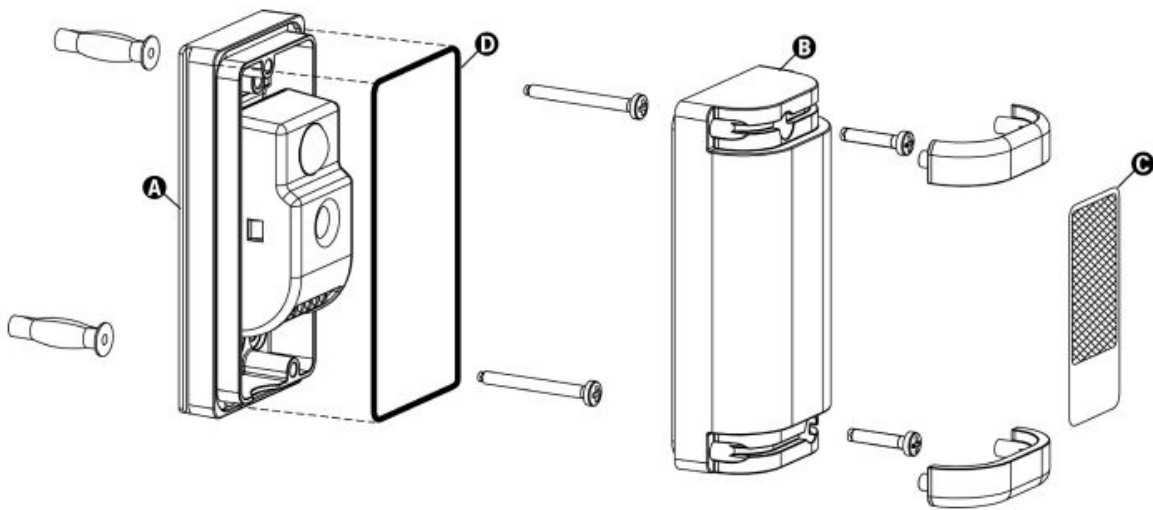


Figure 5.3



Parklio | Smart parking solutions

e: info@parklio.com | w: www.parklio.com

m: + 385 97 724 7276

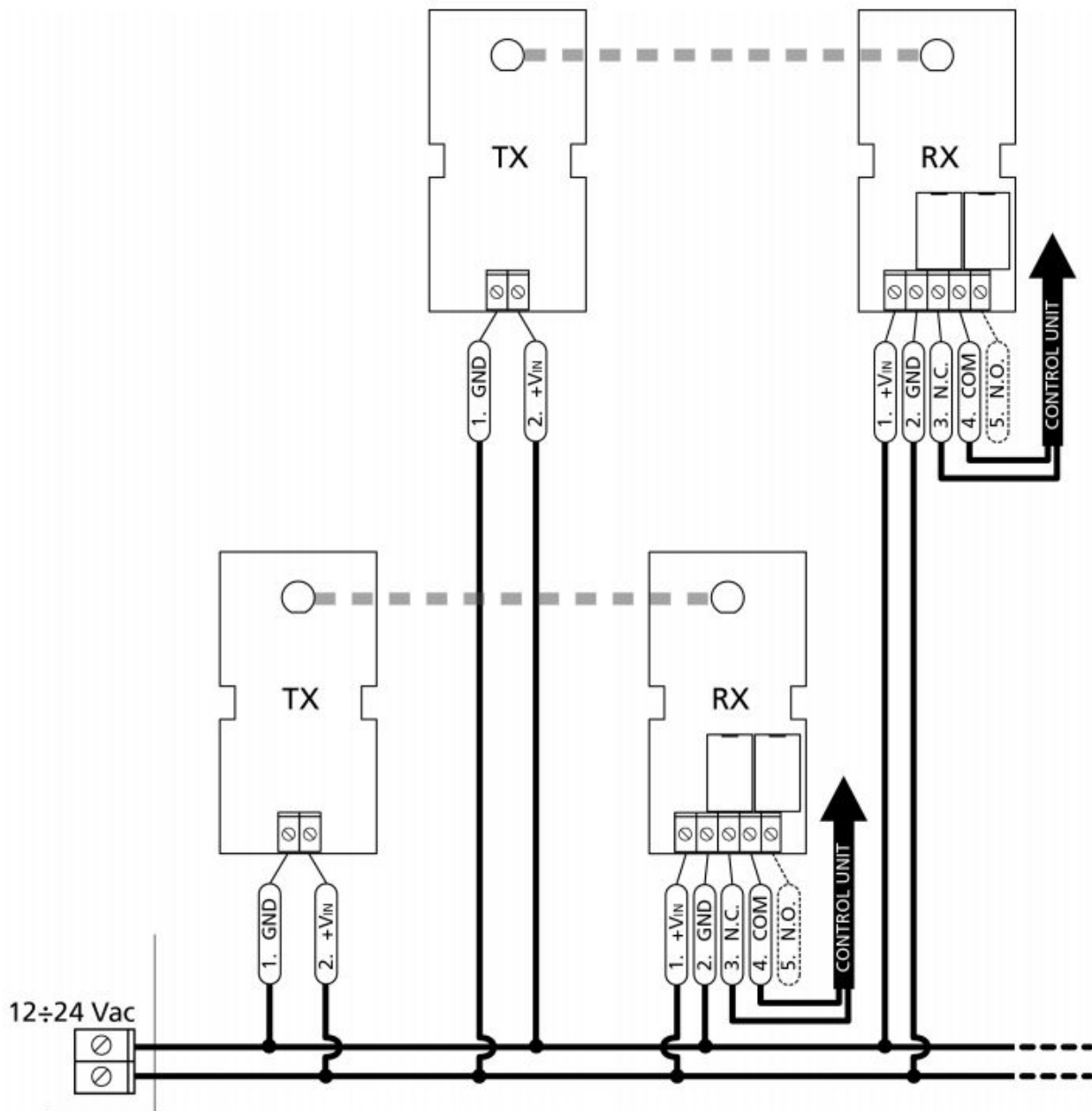


Figure 5.4



Parklio | Smart parking solutions

e: info@parklio.com | w: www.parklio.com

m: + 385 97 724 7276

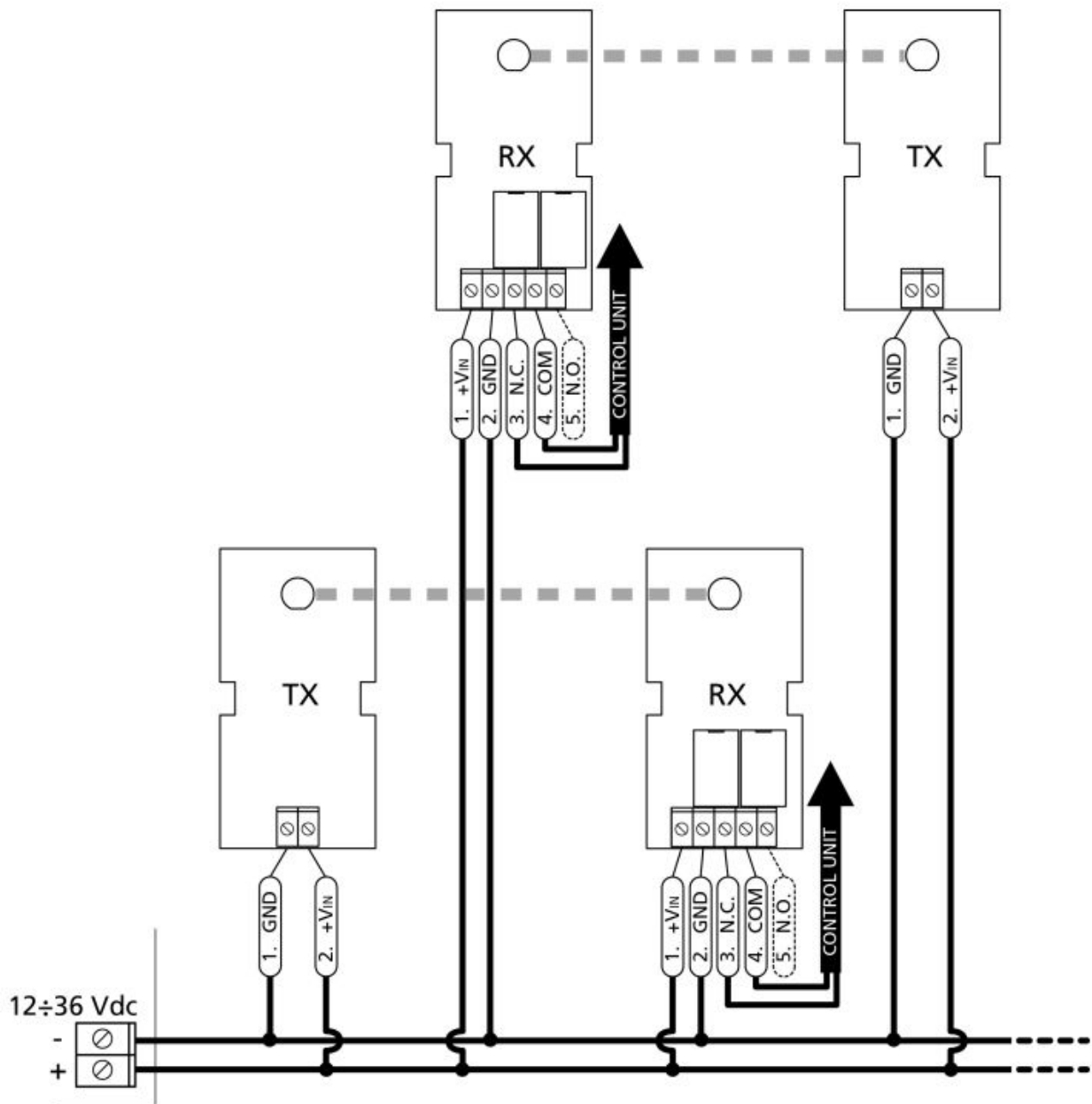


Figure 5.5



Parklio | Smart parking solutions

e: info@parklio.com | w: www.parklio.com

m: + 385 97 724 7276