

# PARKLIO BOLLARD DETAILED INSTRUCTIONS



Thank you for the confidence you have shown us by purchasing our product.

**Please read this manual first!**

Dear Customers,

We hope that all your expectations about this product will be fulfilled. Parklio Bollard is manufactured using the latest technologies and has undergone rigorous quality control procedures.

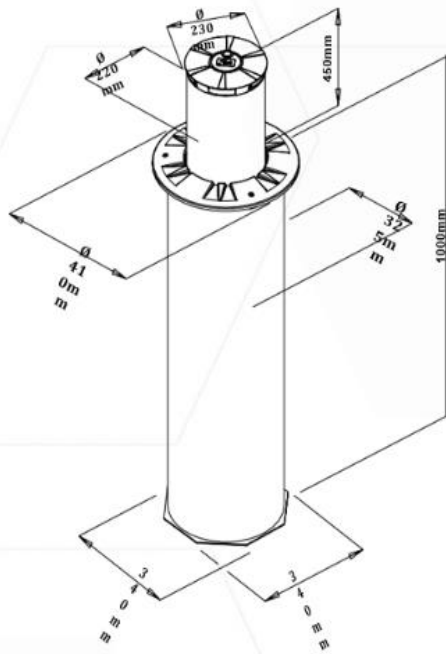
**The User Guide will help you use your product quickly and safely.**

- Read the user manual before installing and using your product.
- Always follow the safety instructions.
- Keep this user manual at hand for future reference.

## PARKLIO BOLLARD DETAILED INSTRUCTIONS

<b>01. Dimensions.....</b>	<b>04</b>
<b>02. Technical Data.....</b>	<b>04</b>
<b>03. Consideration for Installation.....</b>	<b>05</b>
<b>04. Method of Installation.....</b>	<b>05</b>
<b>05. Work Phases.....</b>	<b>06</b>
<b>06. Installation Bollard.....</b>	<b>07</b>
<b>07. Electrical Connection.....</b>	<b>09</b>
7.1 Emergency release.....	09
<b>08. Trouble Shooting.....</b>	<b>10</b>
<b>09. Safety Precautions.....</b>	<b>11</b>
9.1 Installation instructions.....	11
9.2 Warnings for the user.....	11

## 01.DIMENSIONS



## 02.TECHNICAL DATA

Motor power supply	230 Vac
Motor current input	250 W
Motor RPM	1400
Condenser	12.5 $\mu$ F
Operating temperature	-20° C / +55° C
Led power supply	24 Vac

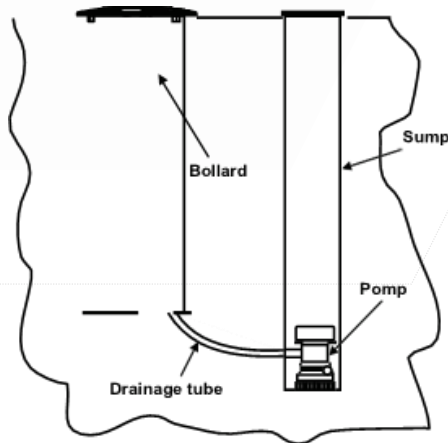
Protection Rating	IP66
Time of opening or closing	7 sec
Bollard stroke	450 mm
Motor current input	1 A
Weight tube of foundation	35 Kg
Weight bollard internal	45 g

### 03. CONSIDERATIONS FOR INSTALLATION

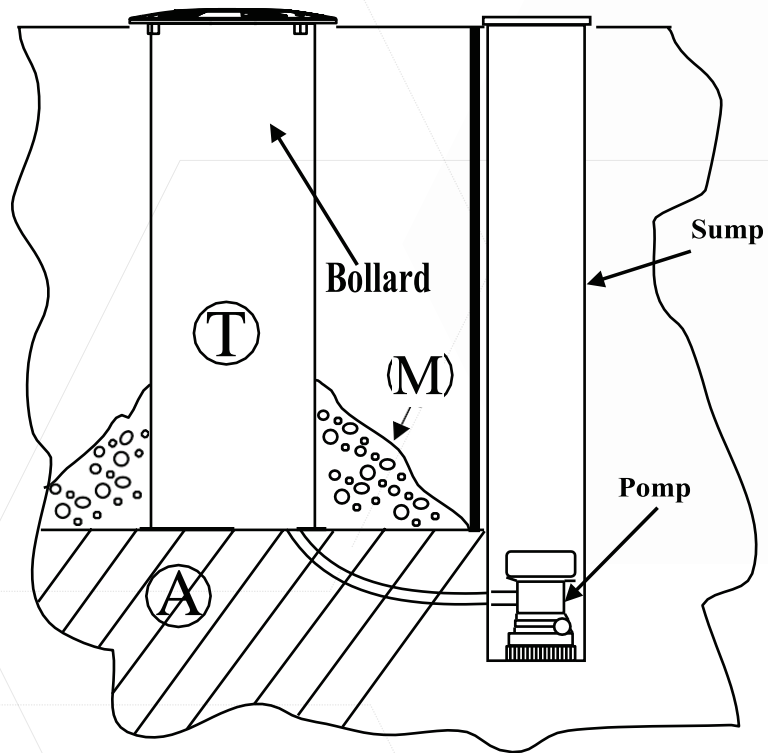
- The installation and testing operations must be performed only by a qualified person to guarantee the proper and safe operation of the automatic gate.
- The company declines any responsibility for damage caused by incorrect installations due to incompetence and/or negligence.

### 04. METHOD OF INSTALLATION

- Create an excavation in the ground of an adequate size to hold the tube outside of the bollard and prepare the trunking and drainage for the water inside the holes on the bottom of the tube.
- Level and cement.



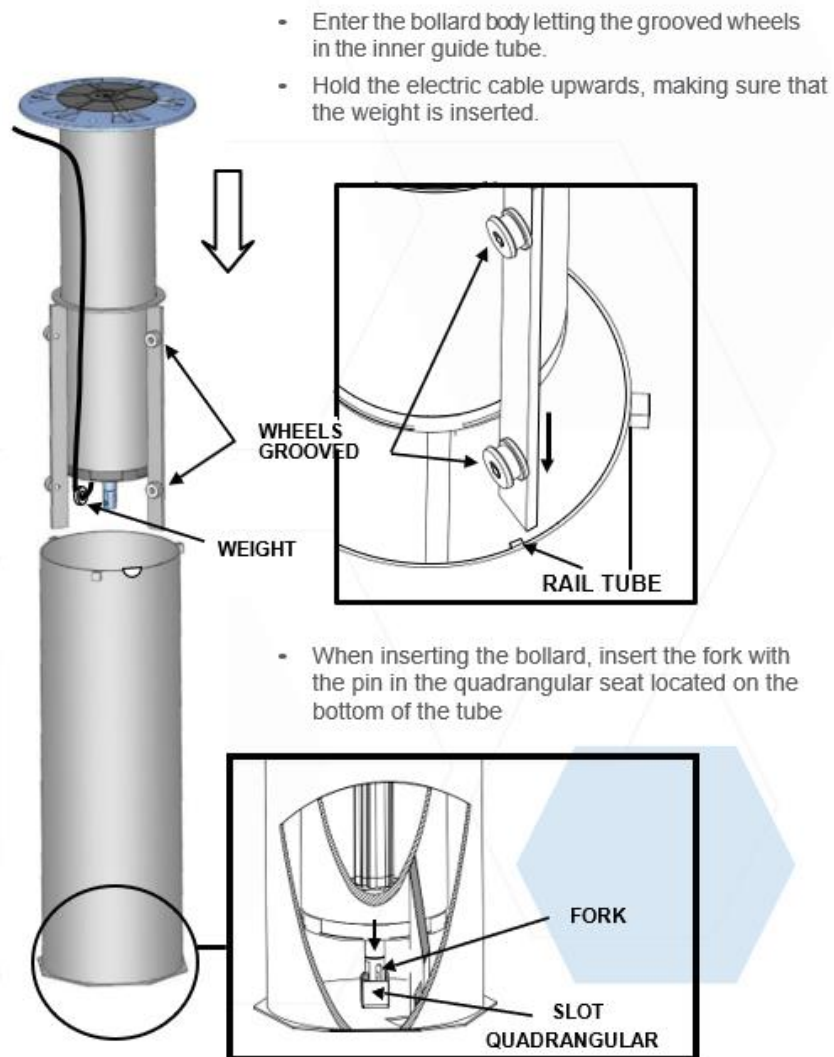
**IMPORTANT:** It is necessary to prepare a water drainage for the automation to work properly



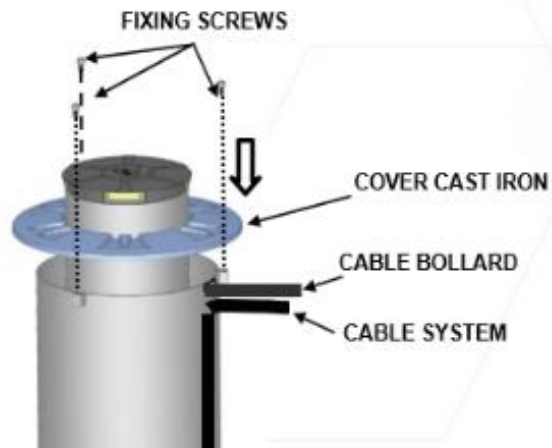
## 05.WORK PHASES

- Prepare level (A) at a depth of about 1m from the surface
- Block the tube (T) through weak-mix concrete (M)
- Check the lead and level
- Put cement

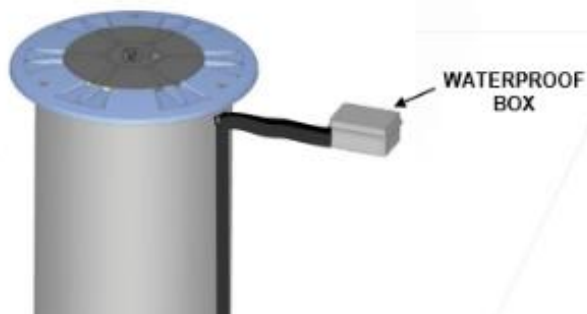
## 06. BOLLARD INSTALLATION (If supplied separately from tube)



- Take out the bollard cable through the hole.
- Place on the top cover of the cast iron pipe and fix it with the screws.

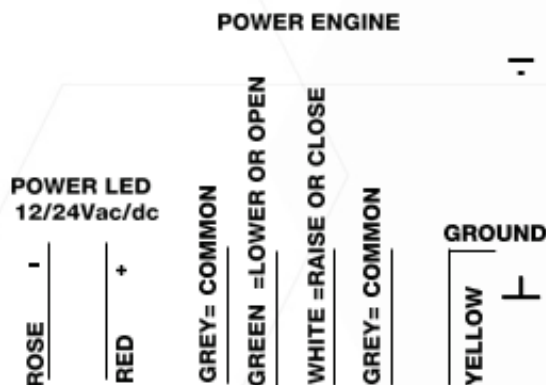


- Make electrical connections with a watertight box containing a resin coating to keep the electrical part waterproofs





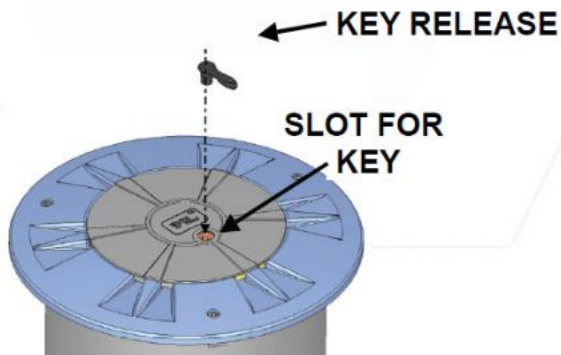
## 07. ELECTRICAL CONNECTION



**NOTE: FOR CLOSED AUTOMATION MEANS THE BOLLARD RAISED**

## EMERGENCY RELEASE

- Insert the key lock into the seat located on the bollard.
- Turn the key clockwise until full release.
- Put pressure on the bollard and lower.
- To lock again, turn the key anticlockwise without letting the release pin protrudes from the bollard surface.



**ATTENTION! DO NOT UNSCREW OR REMOVE THE WHOLE CAP. IT CAN CAUSE WATER INFILTRATION.**

## 08. PROBLEMS-CAUSES AND SOLUTIONS

PROBLEM	PROBABLE CAUSE	SOLUTION
On giving a command with the remote control or with the key-switch, the automation doesn't open, or the motor doesn't start	230-volt mains voltage absent	Check master switch
	Emergency STOP present	Check for any STOP selectors or commands. If not used, check jumper on STOP contact input on the control board
	Blown fuse	Replace with one of the same values.
	The power cable of motor or motors not connected or faulty.	Connect the cable to appropriate terminal or replace.
	The photocell is not functioning or the beam is interrupted	Check the connection, remove any obstacle across the beam
On giving a command with the remote control, the automation doesn't open but works with the key command	The remote control has not been memorized or the battery is flat	Carry out the remote-control learning procedure on the radio receiver or replace the battery with a new one.
The automation starts, but stops immediately	The force of the motor or motors are insufficient	Modify the value with the FORCE trimmer on the control unit

## 09. SAFETY PRECAUTIONS

These warnings are an essential, integral part of the product and must be given to the user. They provide important indications on the installation. Use and maintenance must be read carefully. This form must be preserved and passed on to subsequent users of the system. The incorrect installation or improper use of the product may be dangerous.

### INSTALLATION INSTRUCTIONS

- The installation must be performed by professionally competent personnel and in compliance with current local, state, national and European legislation.
- Before starting installation, check the integrity of the product.
- The laying of cables, electrical connections and adjustments must be performed in a workmanlike manner.
- The packing materials (cardboard, plastic, polystyrene, etc.) are a potential hazard and should be disposed of correctly and not left within reach of children.
- Do not install the product in potentially explosive environments or environments disturbed by electromagnetic fields. The presence of inflammable gases or fumes is a grave danger to safety.
- Set up a safety device for overvoltage, a disconnecting and/or differential switch suitable for the product and conforming to current standards.
- The manufacturer declines all responsibility for product integrity, safety and operation in the event incompatible devices and/or components are installed.
- Solely original spare parts should be used for repairs and replacements.
- The installer must provide all the information relating to the operation, maintenance and use of the individual parts, components and system.

## SAFETY WARNINGS

- Read the instructions and enclosed documentation carefully.
- The product must be used for the express purpose for which it was designed. Any other use is considered improper and therefore hazardous. Furthermore, the information given in this document and in the attached documentation may be subject to modifications without prior notice. They are in fact provided as an indication for the application of the product. The manufacturer declines all potential responsibility.
- Keep products, devices, documentation and anything else provided out of reach of children.
- In case of maintenance, cleaning, breakdown or disfunction of the product, disconnect the power supply, refraining from any intervention attempt. Contact only professionally competent and dedicated personnel.
- Failure to comply with the above indication can be dangerous.