



PARKLIO™ ANPR

TECHNICAL SPECIFICATIONS

PROPERTIES

- **IR range up to 50 m (2.8. to 12 mm)**
- IR range up to 100 m ((8 to 32 mm)
- **Five defined streams and up to five custom streams**
- 6 behaviour analyses, 2 exception detection
- **Licence Plate Recognition**
- Supports alarms for listed license plate in the blacklist and whitelist
- **Built-in microSD/SDHC/SDXC card slot, up to 256 GB**

SPECIFICATIONS

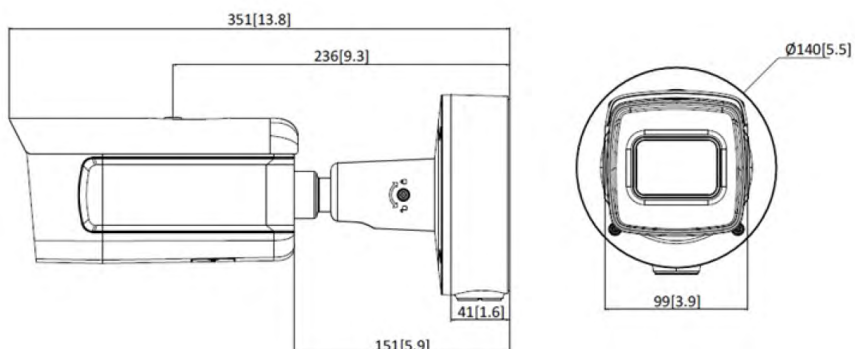
CAMERA	
Image sensor	1/1.8 Progressive Scan CMOS
Min.illumination	Color: 0.002 Lux @ (F1.2, AGC ON), 0 Lux with IR
Shutter speed	1 s to 1/100, 000 s
Slow shutter	Yes
Day and night	IR Cut Filter
Digital noise reduction	3D DNR
WDR	140 dB
Angle adjustment	Bracket, pan: 0° to 355°, tilt: 0° to 90°, rotate: 0° to 360°
Focal lenght	2.8 to 12 mm 8 to 32 mm
Aperture	2.8 to 12 mm: F1.2 8 to 32 mm: F1.6
Focus	Auto, Semi-auto, Manual
FOV	2.8 to 12 mm: Horizontal FOV 103.3° to 38.6°, Vertical FOV 54.2° to 21.9°, Diagonal FOV 124.2° to 44.3° 8 to 32 mm: Horizontal FOV 42.5° to 13.4°, Vertical FOV 23.4° to 7.7°, Diagonal FOV 49° to 15.3°
Lense Mount	Integrated

IR	
IR Range	2.8 to 12 mm: Upto 50m 8 to 32 mm: Upto 100mt
Wavelength	850 mm
Compression Standard	
Video Compression	Main stream: H.264/H.265/H.265+/H.264+ Sub stream/third stream/fourth stream/fifth stream/custom stream: H.265/H.264/MJPEG
H.264 Type	Baseline profile/Main Profile/High Profile
H.264+	Main stream supports
H.265 Type	Main Profile
H.265+	Main stream supports
Video Bite Rate	32 Kbps to 16 Mbps
Audio Compression	No
Audio Bite Rate	No
Smart Feature-set	
Perimeter Protection	Line crossing detection, intrusion detection, region entrance detection, region exiting detection, unattended baggage detection, object removal detection
Exception Detection	scene change detection, defocus detection
Statistics	No
Face Detection	Yes
Recognition	License Plate Recognition

Recognition of interest	4 fixed regions for main stream, sub stream, third stream, fourth stream, fifth stream, and dynamic tracking
Wavelength	Capture rate > 98% Vehicle moving direction recognition accuracy > 96% Mistaken capture rate < 2% (entrance/exit), < 5% (checkpoint)
Blacklist and whitelist	Max. 10,000 records
No license Plate Detection	Yes
Motorcycle LPR	Yes (only applicable to checkpoint)
Image	
Max. Resolution	1920 x 1080
Main Stream	50Hz: 50fps (1920 x 1080, 1280 x 960, 1280 x 720) 60Hz: 60fps (1920 x 1080, 1280 x 960, 1280 x 720)
Sub Stream	50Hz: 25fps (704 x 576, 640 x 480) 60Hz: 30fps (704 x 576, 640 x 480)
Third Stream	50Hz: 25fps (1920 x 1080, 1280 x 960, 1280 x 720, 704 x 576, 640 x 480) 60Hz: 30fps (1920 x 1080, 1280 x 960, 1280 x 720, 704 x 576, 640 x 480)
Fourth Stream	50Hz: 25fps (1920 x 1080, 1280 x 720, 704 x 576, 640 x 480) 60Hz: 30fps (1920 x 1080, 1280 x 720, 704 x 576, 640 x 480)
Fifth Stream	50Hz: 25fps (704 x 576, 640 x 480) 60Hz: 30fps (704 x 576, 640 x 480)
Custom Stream	50Hz: 25fps (1920 x 1080, 1280 x 720, 704 x 576, 640 x 480) 60Hz: 30fps (1920 x 1080, 1280 x 720, 704 x 576, 640 x 480)
Image Enhancement	BLC, HLC, 3D, DNR, Defog, EIS, Lens distortion correction
Image Setting	Rotate mode, Saturation Brightness, Contrast, Sharpness, AGC, and White balance are adjustable by client software or web browser

Target Cropping	Yes
SVC	H.264 and H.265 encoding
Day/ Night switch	Day/Night/Auto/Schedule/Triggered by Alarm In/Triggered by video
Picture Overlay	Logo picture can be overlaid on video with 128 x 128 24bit bmp format
Network	
Network Storage	microSD/SDHC/SDXC card (256 GB), local storage and NAS (NFS, SMB/CIFS), ANR
Alarm trigger	Motion detection, video tempering alarm, network disconnected, IP address conflict, illegal login, HDD full, HDD error, alarm for listed license plate in the blacklist and whitelist
Protocols	TCP/IP, ICMP/HTTP, HTTPS,FTP, DHCP, DNS, DDNS, RTP, RTSP, RTCP, PPPoE, NTP, UPoP, SMTP, SNMP, IGMP, 802.1X, QoS, IPv6, UDP, Bonjour
Security Measures	Password protection, HTTPS encryption, IEEE 802.1x port-based network access control, IP address filter, basic and digest authentication for HTTP/HTTPS, WSSE and digest authentication for ONVIF
General Function	One-key reset, Anti flicker, five streams and custom streams, heart beat, password protection, privacy mask, water mark, IP address filter
API	ONVIF (PROFILE S, PROFILE G), ISAPI, SDK
Simultaneous Live View	Upto 20 channels
User/Host	Upto 32 users, 3 user level: administrator, operator and user
Alarm	2 inputs, 2 outputs (upto 24 VDC 1A or 110 VAC 500 mA)
Video Output	1Vp-p composite output (75 Ω/CVBS)
On-board storage	Built-in micro SD/SDHC/SDXC slot, upto 256 GB

Day/ Night switch	CVBS analog output (4CIF resolution), internal
Picture Overlay	Yes
Audio	
Environment noise filtering	No
Audio Sampling Rate	No
General	
Firmware Version	5.5.60
Operating Conditions	-30°C to 60°C (-22°F to 140°F), -H: -40°C to 60°C (-40°F to 140°F) Humidity 95% or Less (non-condensing)
Power Supply	12 VDC \pm 20%, two-core terminal block PoE (802.3at, class 4)
Power Consumption and current	-IZS: 12 VDC, 1.2 A, max. 14 W: PoE (802.3at, 42.5 V to 57 V), 0.4 A to 0.3 A -IZS: 12 VDC, 1.4 A, max. 16.5 W: PoE (802.3at, 42.5 V to 57 V), 0.4 A to 0.3 A
Protection Level	IP67, IK10



Unit: mm[inch]

INSTRUCTIONS AND SUPPORT:

www.parklio.com/support/